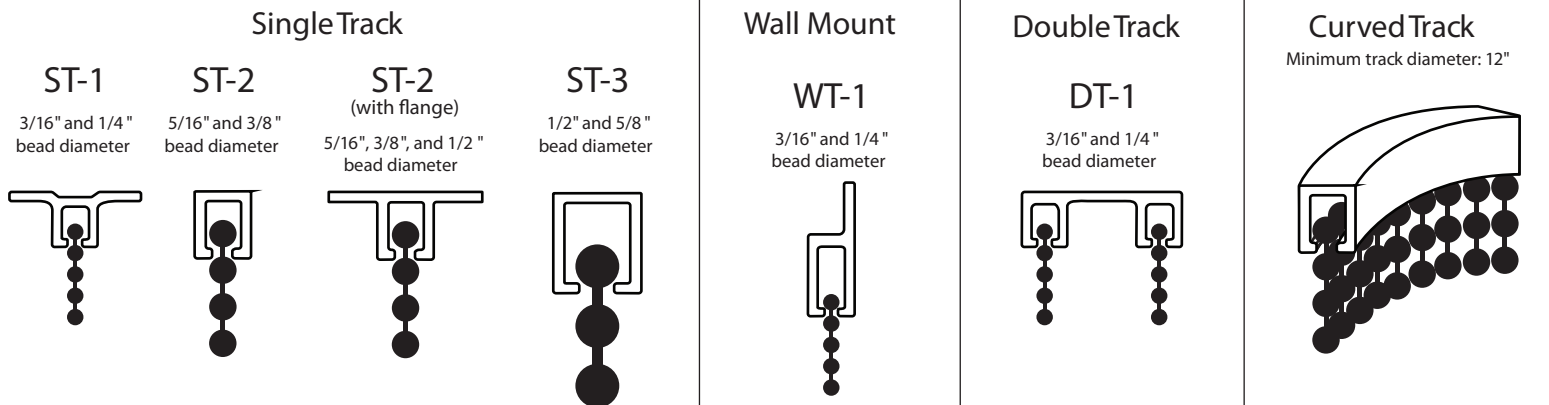


## Installation

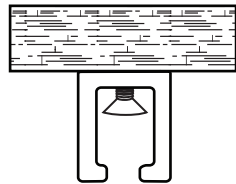
- ShimmerScreen can weigh between 1-4 lbs per square foot depending on the diameter and finish (see quote or contact us for specific information)
- Suitable support must be in place prior to installation, and installation area should be clear of obstructions and persons
- A licensed contractor will need to determine the best mounting surface and location per the project specifications
- Customers may provide CAD files or templates for curved tracks or complex designs
- Mounting screws are not provided
- Tracks are not pre-drilled



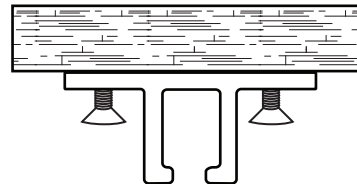
### Mounting - Step 1

- Drill a pilot hole through the aluminum track
- Mark hole locations in mounting surface
- Secure track to mounting surface with screws

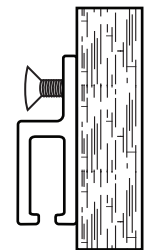
#### Ceiling Mount (Inside or Outside Mount)



#### Ceiling Mount with Flange (Inside or Outside Mount)



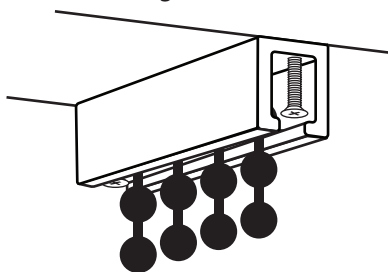
#### Wall Mount (Inside or Outside Mount)



### Bead Installation - Step 2

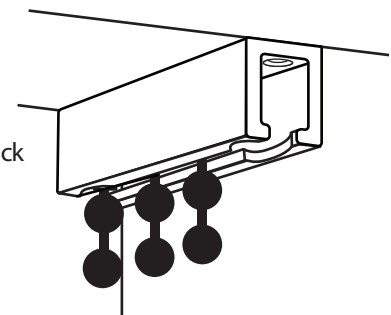
- Place a screw at the beginning of the track to keep beads secured in place (screw not provided)
- Insert the last bead of each strand into the supplied track
- Place a screw at the end of the track to secure beads (screw not provided)
- Beads may need to be trimmed after installed to obtain the desired length

#### Outside Mount (Ceiling or Wall Track)



#### Inside Mount

- Mount track in desired location
- Insert last bead of strand through the pre-drilled hole in bottom of track
- Secure beads in track by placing a screw at pre-drilled hole (screw not provided)



### Note

- Beads will not match up horizontally and may not be even at bottom due to tolerance given in manufacturing

### Disclaimer

- Ball Chain Mfg. Co., Inc. in no way warrants or represents that our ShimmerScreen products are appropriate for your application
- ShimmerScreen products should be installed by a licensed contractor
- Ball Chain Mfg. Co., Inc. assumes no responsibility or liability for damages resulting from accident, improper installation, alteration, misuse, abuse, improper operation, lack of reasonable care, incompatibility with other products or components, or any other reasons
- As the manufacturer of ShimmerScreen products, Ball Chain Mfg. Co., Inc. assumes no responsibility for the user's compliance with applicable laws, regulations or building codes